

Preparing for Installation

The Sun Quad FastEthernet SBus Adapter contains four fully-buffered twisted-pair Ethernet ports (RJ-45), providing four switchable 10BASE-T/100BASE-TX channels, on a single-wide SBus adapter.

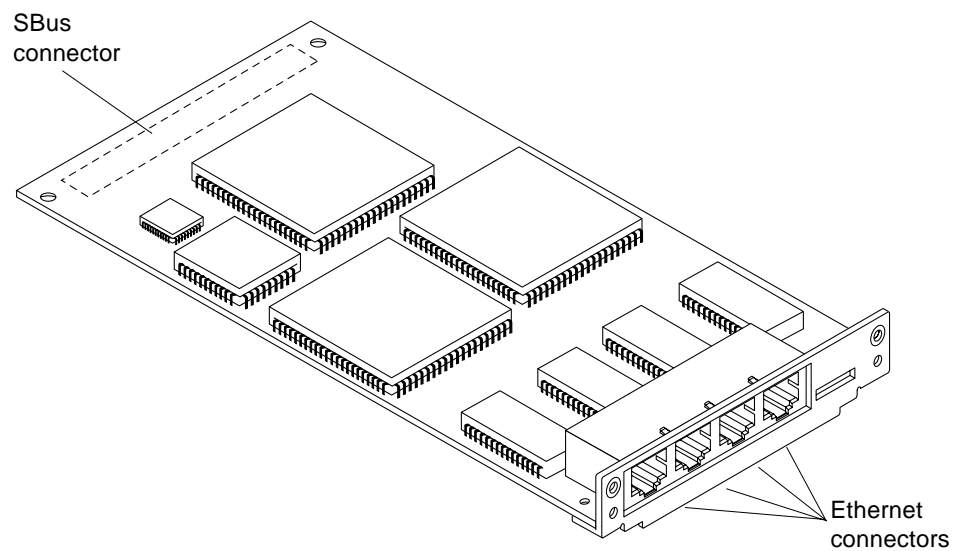


FIGURE 1-1 Sun Quad FastEthernet SBus Adapter

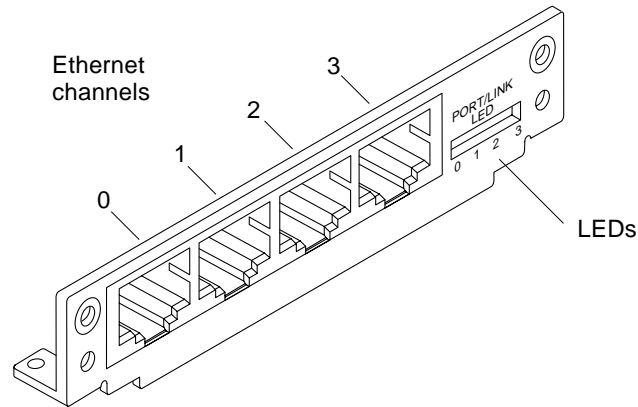


FIGURE 1-2 Sun Quad FastEthernet SBus Adapter Back Panel

Features

This SBus adapter offers the following features:

- Fully complies with the ANSI/IEEE std. 802.3 CSMA/CD physical layer specification
 - i. Four Switchable 10BASE-T/100BASE-TX Ethernet channels with auto negotiation. Conforms to IEEE 802.3u Ethernet standard
 - ii. Provides operations of up to 100 meters of twisted-pair without use of repeaters
- Four independent Ethernet channels capable of running at either 10 Mbps or 100 Mbps
- Multiple IDs with local media access control (MAC) storage
- Full packet buffering for transmit and receive packets 64 Kbytes of memory for data
- Link integrity LED for each channel

Hardware and Software Requirements

Before installing the adapter, make sure your system meets the following hardware and software requirements:

TABLE 1-1 Hardware and Software Requirements

Supported Operating Environments	Solaris 2.4, 2.5, 2.5.1, 2.5.1 Hardware: 4/97 releases
Supported Systems	Sun™ Ultra™ 1 series*, Ultra 2 series*, Ultra Enterprise™ 150, Ultra Enterprise 3000/4000/5000/6000, SPARCstation 5*, SPARCstation 10*, SPARCstation 20*, SPARCserver 1000/1000E, SPARCcenter 2000/2000E, SPARCserver 6x0MP*
OpenBoot™ PROM (OBP)	Release 2.26 or later for SPARCserver 1000/1000E and SPARCcenter 2000/2000E systems Release 2.10 version 3 or later for SPARCserver 6x0MP systems Release 2.9 or later for all other supported systems

*One Sun Quad FastEthernet SBus adapter per system maximum.

Note – The information above is up-to-date as of the printing of this manual. Visit Sun on the World Wide Web at <http://www.sun.com/> for the latest information.

Checking the OpenBoot PROM Revision Level

TABLE 1-1 lists the required OpenBoot PROM revision levels for all of the supported systems. You can use the OpenBoot command `.version` to display your system's OpenBoot PROM revision level.

▼ Displaying the OpenBoot PROM Revision Level

- At the `ok` prompt, type `.version` to check your system's OpenBoot PROM revision level.

```
ok .version
Release 2.26 Version 1203 created 96/04/19 09:44:48
```

Warning for SPARCserver 1000/1000E and SPARCcenter 2000/2000E Systems



Caution – If you are installing the Sun Quad FastEthernet SBus adapter in a SPARCserver 1000/1000E or a SPARCcenter 2000/2000E system, your system's OpenBoot PROM must be release 2.26 or later. Release 2.26 is required on the master system board.

If you have installed the Sun Quad FastEthernet SBus adapter into a SPARCserver 1000/1000E or a SPARCcenter 2000/2000E system and the system's OpenBoot PROM is not 2.26 or later, attempting to reboot the system with the `reboot`, `sync` ► `sync` ► `halt`, or `init 0` commands will cause a system reset and display following error message:

```
OA>. TEST FAILED - System Reconfiguration .....
OA>Swap to SBI Interrupt Status register caused trap
```

Contact your local service provider to order an upgrade kit if your SPARCserver 1000/1000E or SPARCcenter 2000/2000E OpenBoot PROM release is earlier than 2.26.