

## *Illustrated Parts Breakdown (IPB)*

---



The illustrations and tables in this appendix are intended to supplement the removal and replacement procedures described in previous chapters and appendixes.

---

**Note** – Part numbers in this section may differ from those found in your system. Before ordering replacement parts, find the label on the part to be replaced and place your order using that number. Be sure to use the right part number (for the entire assembly instead of the individual components) as shown in Table F-1.

---

For example, the part number for the fan tray assembly is 540-2756. Although the individual fans in the assembly may have a separate part number, the part number you should use when placing your order is 540-2756 for the entire assembly.

---

**Note** – For information about additional capacity drives and other replacement options, contact your sales representative.

---

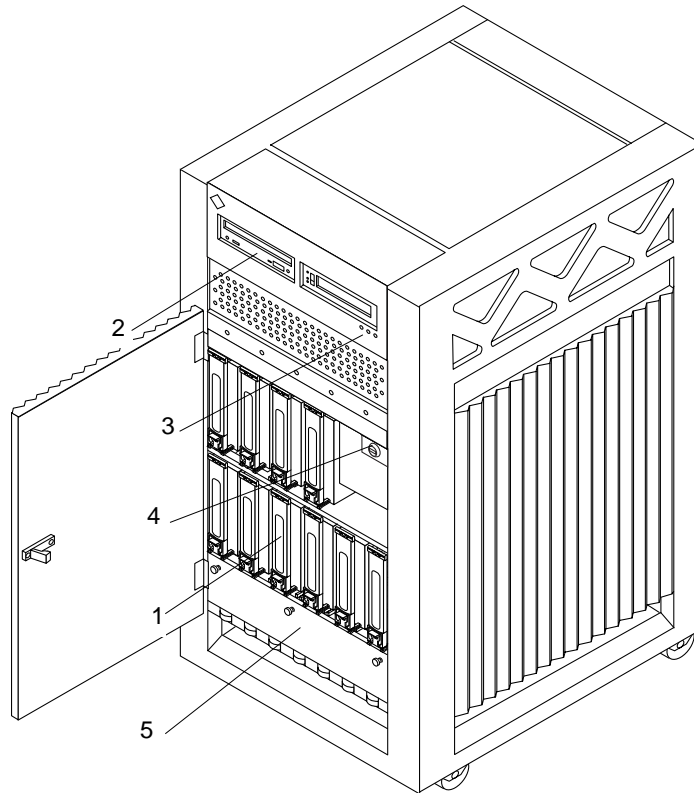
Table F-1 List of Replaceable Components (1 of 2)

| General Category | Description                               | Part Number | Page      |
|------------------|---|-------------|-----------|
| Fan tray         | Fan tray assembly                         | 540-2756    | page F-19 |
|                  | Fan tray assembly, auxiliary              | 540-2757    | page F-20 |
|                  | Centerplane assembly                      | 501-2939    | page F-9  |
|                  | Disk drive                                | 540-2815    | page F-18 |
| SCSI devices     | Terminator, 68 pin                        | 150-2267    | page F-20 |
|                  | Sun CD 4                                  | 370-2203    | page F-17 |
|                  | 4/8 Gbyte 4 mm tape drive                 | 370-2177    |           |
|                  | 4 mm DDS2 auto loader                     | 370-2180    |           |
|                  | 2.5 Gbyte QIC tape                        | 370-2202    |           |
|                  | SCSI tray data cable assembly             | 530-2220    | page F-17 |
|                  | SCSI DC power cable assembly              | 530-2221    | page F-17 |
|                  | Key switch lock cable assembly            | 530-2148    | page F-6  |
|                  | Key switch tray, LED board                | 501-2599    | page F-8  |
|                  | Key switch PWB centerplane cable assembly | 530-2226    |           |
| Power            | Power supply, peripheral                  | 300-1301    | page F-10 |
|                  | Power supply, peripheral with AC input    | 300-1307    | page F-11 |
|                  | Power/cooling module (PCM)                | 300-1260    | page F-10 |
|                  | Peripheral power supply filler panel      | 540-2759    |           |
|                  | PCM filler panel                          | 540-2593    |           |
| Boards           | CPU/Memory board assembly                 | 501-2976    | page F-12 |
|                  | 6 ns, 512 Kbyte CPU module                | 501-2941    | page F-12 |
|                  | 6 ns, 1 Mbyte CPU module                  | 501-2959    | page F-12 |
|                  | 6 ns, 2 Mbyte CPU module                  | 501-2974    | page F-12 |
|                  | Assembly, DRAM, 1MX72, JEDEC, SIMM, 60 ns | 501-2652    | page F-12 |
|                  | Assembly, DRAM, 4MX72, JEDEC, SIMM, 60 ns | 501-2653    | page F-12 |

*Table F-1 List of Replaceable Components (2 of 2)*

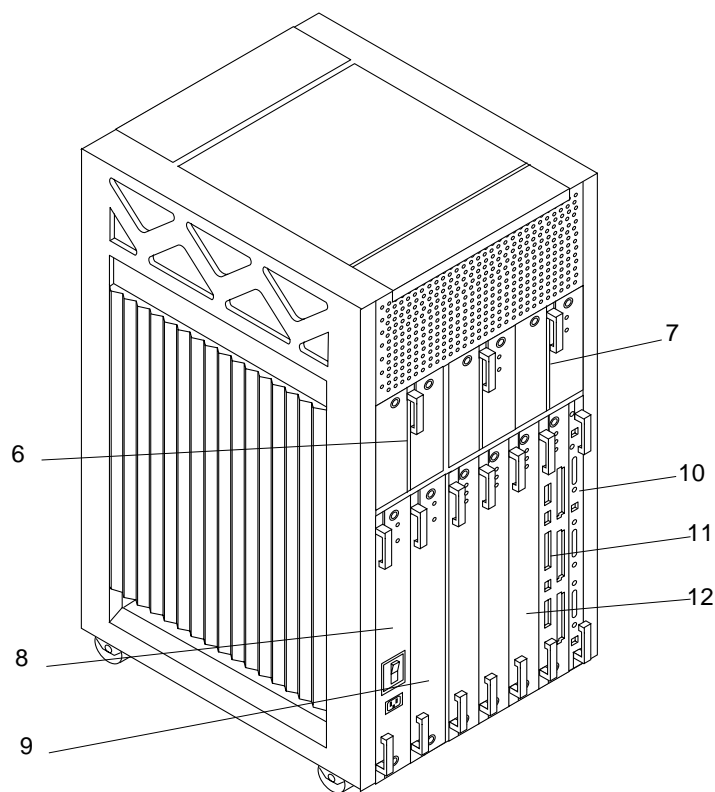
| <b>General Category</b> | <b>Description</b>                         | <b>Part Number</b> | <b>Page</b> |
|-------------------------|--|--------------------|-------------|
|                         | Assembly, DRAM, 16MX72, JEDEC, SIMM, 60 ns | 501-2654           | page F-12   |
|                         | SBus I/O board assembly                    | 501-2977           | page F-13   |
|                         | Graphics I/O board assembly                | 501-2749           | page F-14   |
|                         | Optical link card                          | 370-1426           |             |
|                         | DFB, FFB Graphics Card, 67 MHz             | 501-4126           |             |
|                         | SFB, FFB Graphics Card, 67 MHz             | 501-4127           |             |
|                         | Clock board assembly                       | 501-2975           | page F-15   |
|                         | Board, filler panel                        | 540-2592           | page F-16   |

*Table F-2 Front View*



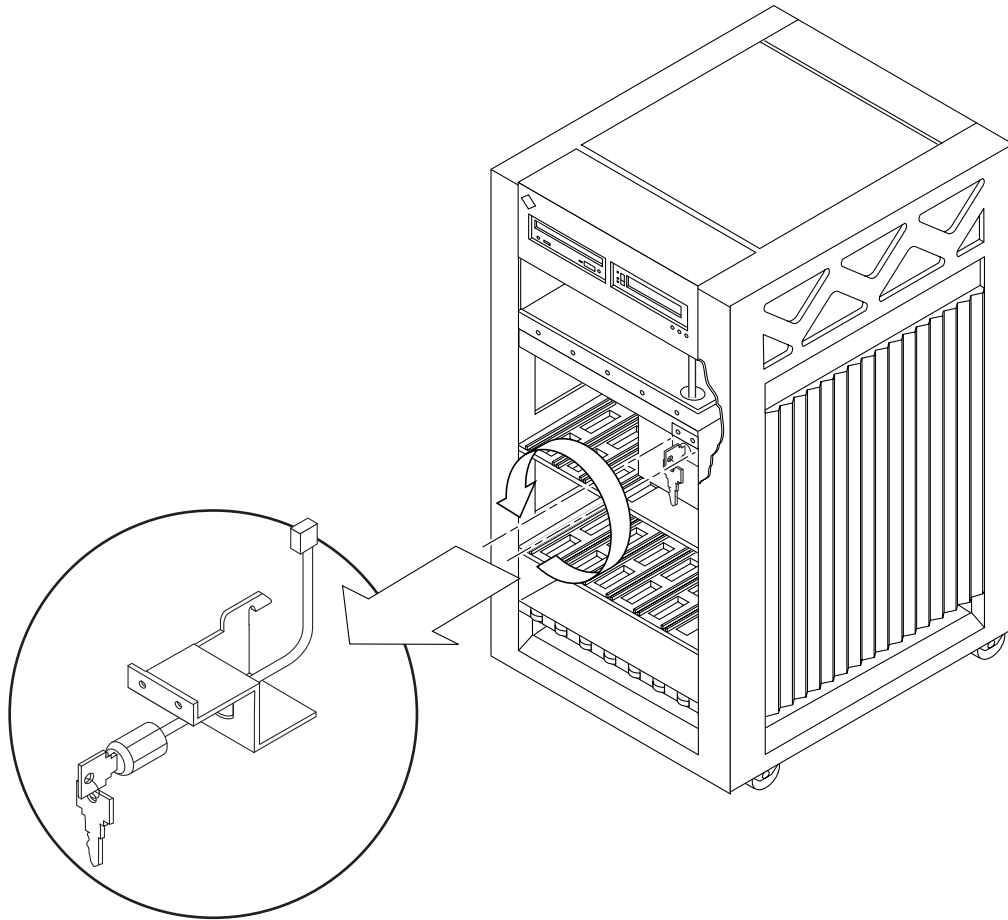
| <b>Key</b> | <b>Description</b>    | <b>Part Number</b> |
|------------|-----------------------|--------------------|
| 1          | Disk drive            | 540-2815           |
| 2          | Sun CD 4              | 370-2203           |
| 3          | LED board             | 501-2599           |
| 4          | Key switch lock cable | 530-2148           |
| 5          | Fan tray assembly     | 540-2756           |

Table F-3 Rear View



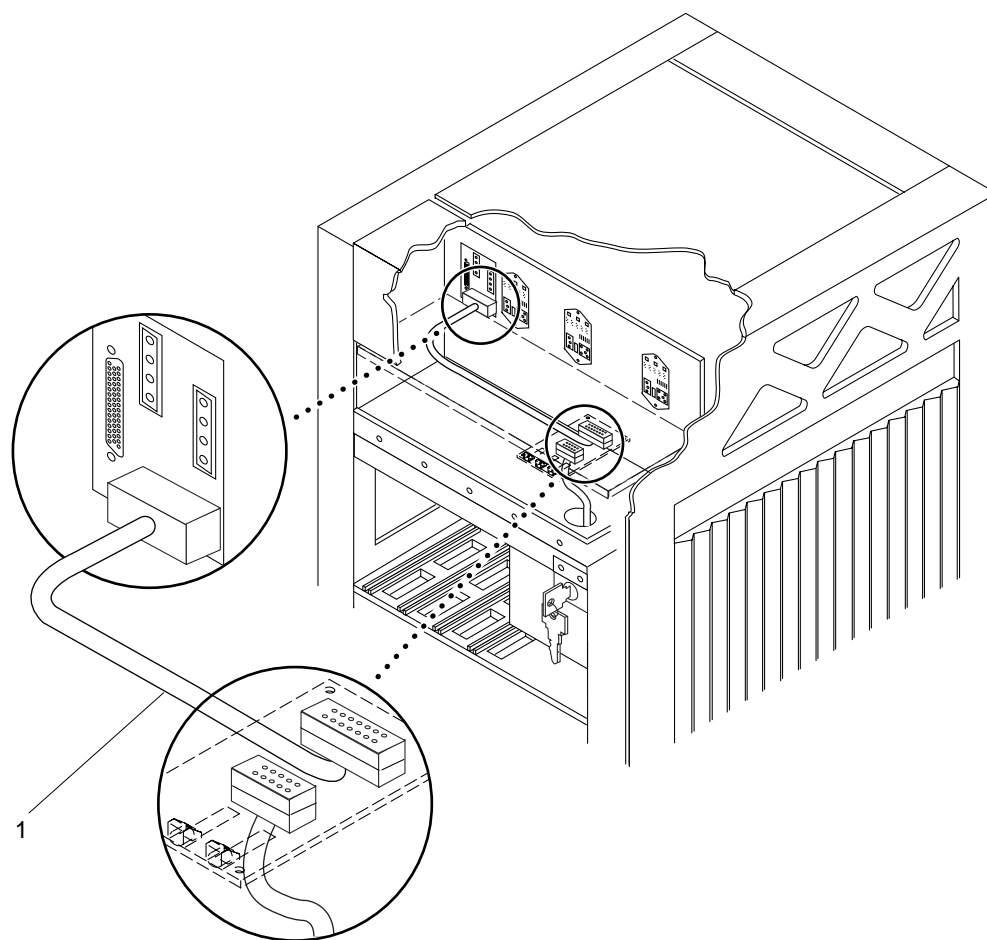
| Key | Description                       | Part Number |
|-----|-----------------------------------|-------------|
| 6   | Auxiliary fan tray                | 540-2757    |
| 7   | PCM                               | 300-1260    |
| 8   | Power supply, peripheral/AC input | 300-1307    |
| 9   | Power supply, peripheral          | 300-1301    |
| 10  | Clock board assembly              | 501-2975    |
| 11  | SBus I/O board assembly           | 501-2977    |
| 12  | CPU/Memory board assembly         | 501-2976    |

Table F-4 Key Switch Lock Cable Assembly



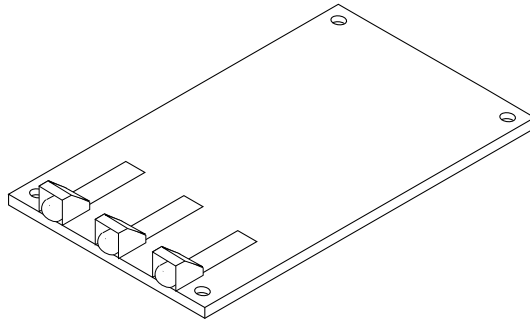
| Description                    | Part Number |
|--------------------------------|-------------|
| Key switch lock cable assembly | 530-2148    |

Table F-5 Key Switch PWB Centerplane Cable Assembly



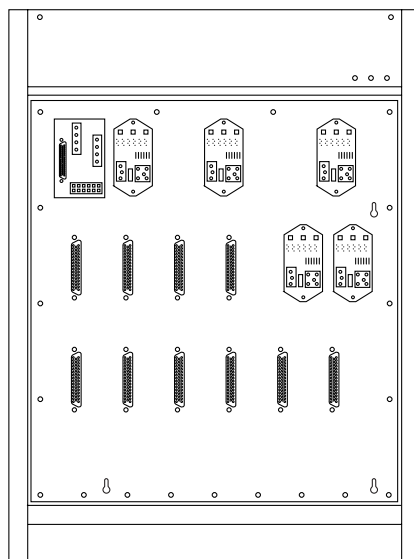
| Key | Description                               | Part Number |
|-----|---|-------------|
| 1   | Key switch PWB centerplane cable assembly | 530-2226    |

Table F-6 Key Switch Tray, LED Board



| Description | Part Number |
|-------------|-------------|
| LED board   | 501-2599    |

Table F-7 Centerplane Assembly



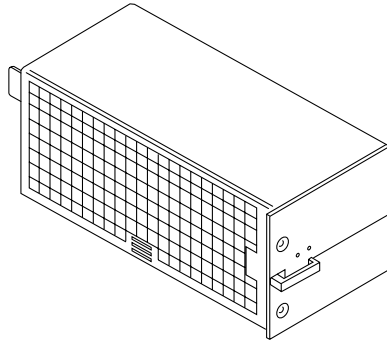
**Description**

Centerplane assembly

**Part Number**

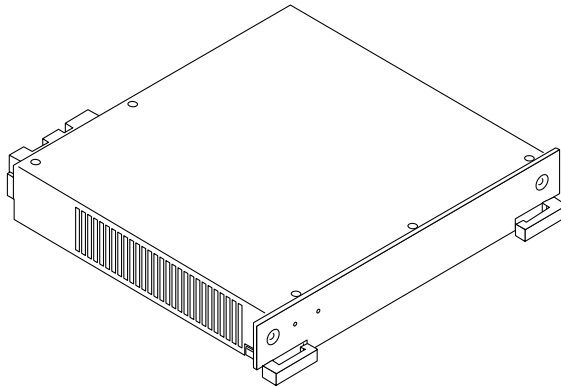
501-2939

Table F-8 PCM



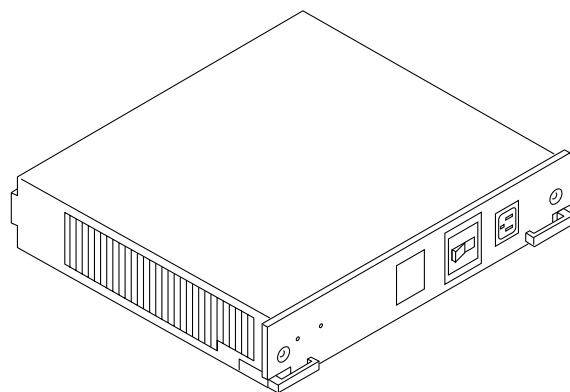
| Description | Part Number |
|-------------|-------------|
| PCM         | 300-1260    |

Table F-9 Peripheral Power Supply



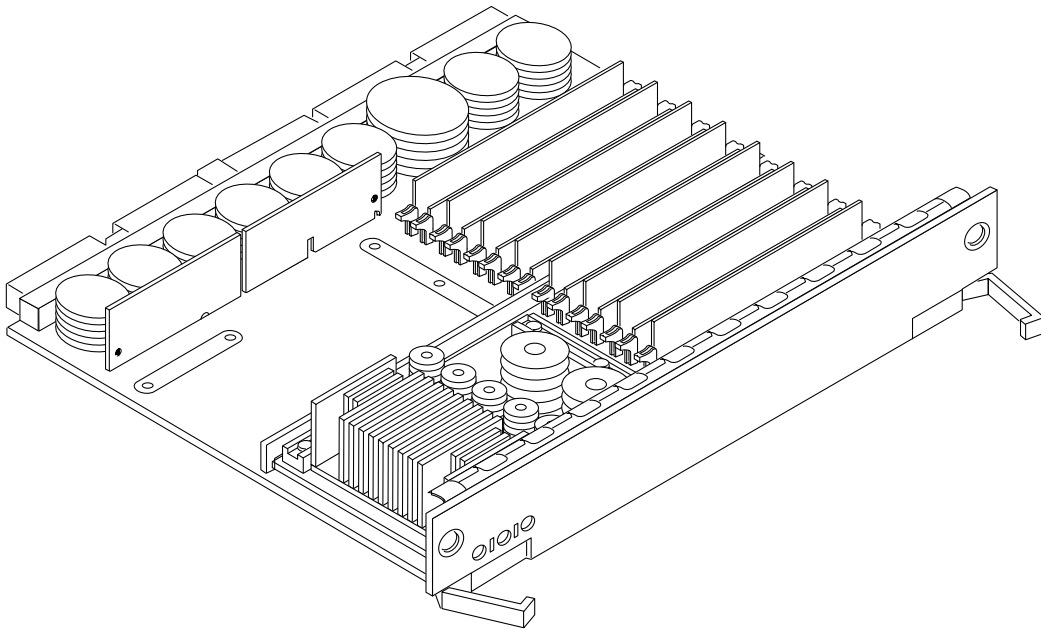
| Description              | Part Number |
|--------------------------|-------------|
| Power supply, peripheral | 300-1301    |

Table F-10 Peripheral Power Supply/AC Input



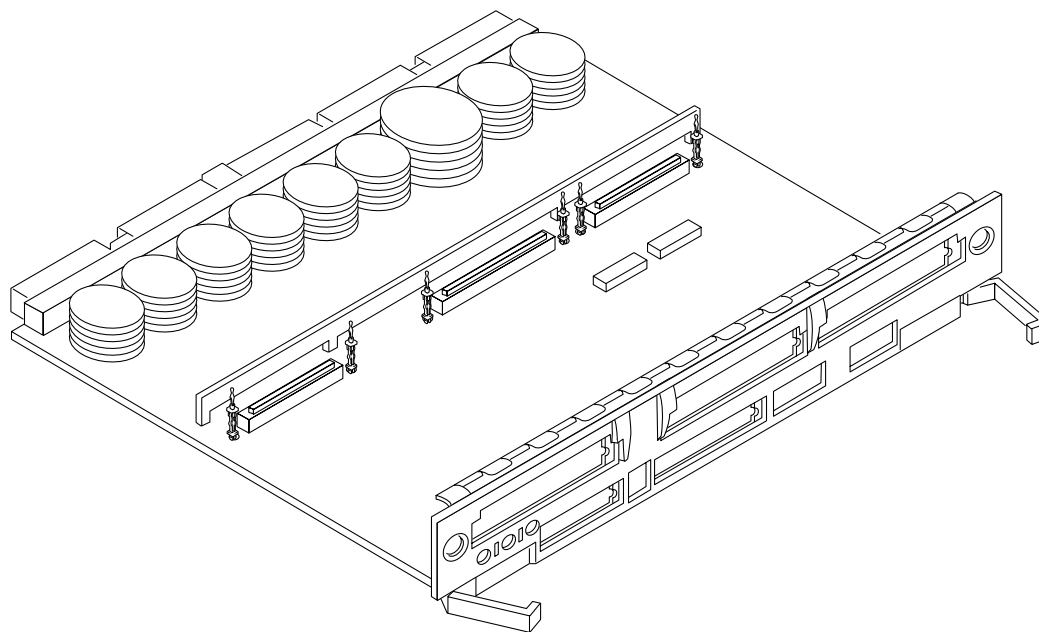
| Description                            | Part Number |
|--|-------------|
| Power supply, peripheral with AC input | 300-1307    |

Table F-11 CPU/Memory Board Assembly



| Description               | Part Number |
|---------------------------|-------------|
| CPU/Memory board assembly | 501-2976    |

Table F-12 SBus I/O Board Assembly



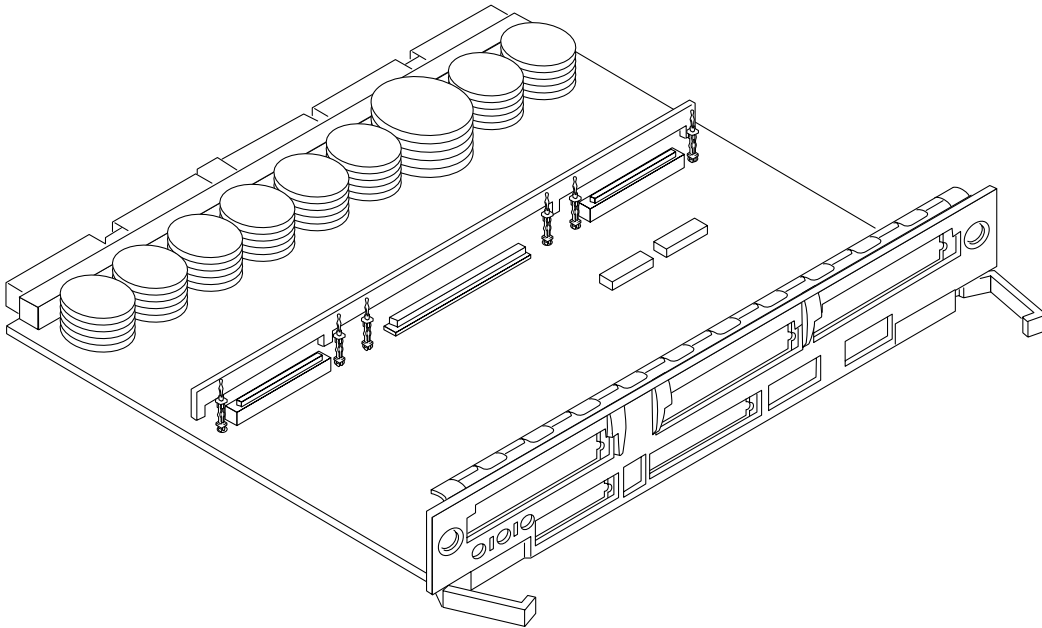
**Description**

SBus I/O board assembly

**Part Number**

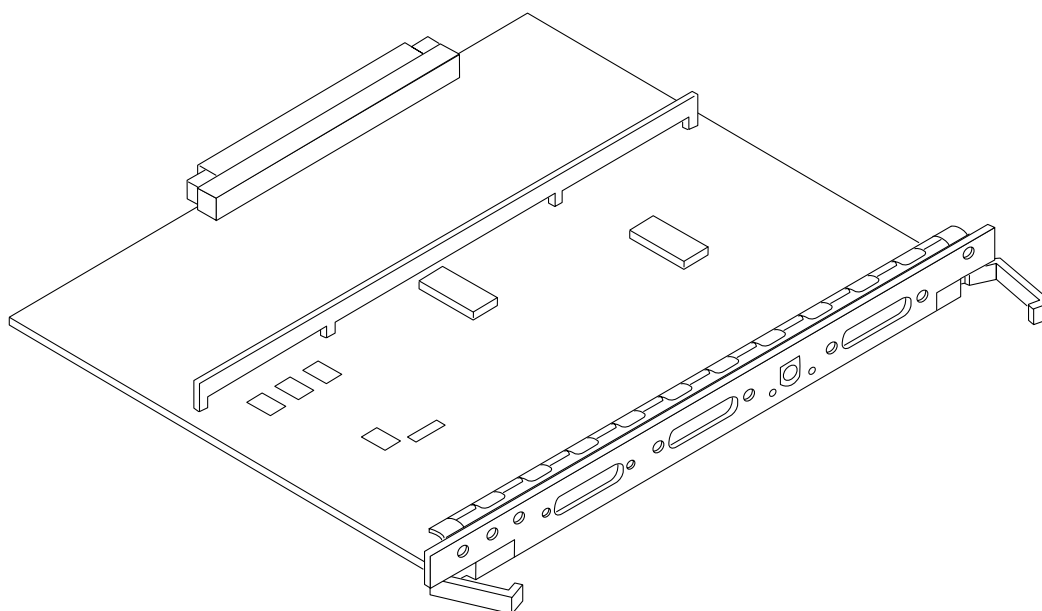
501-2977

Table F-13 Graphics I/O Board Assembly



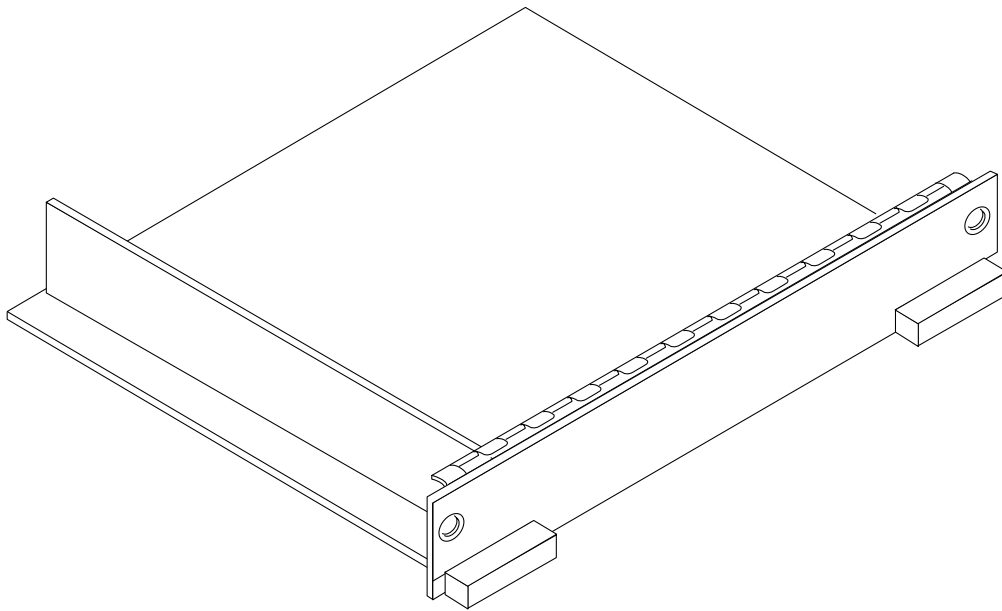
| Description                 | Part Number |
|-----------------------------|-------------|
| Graphics I/O board assembly | 501-2749    |

Table F-14 Clock Board Assembly



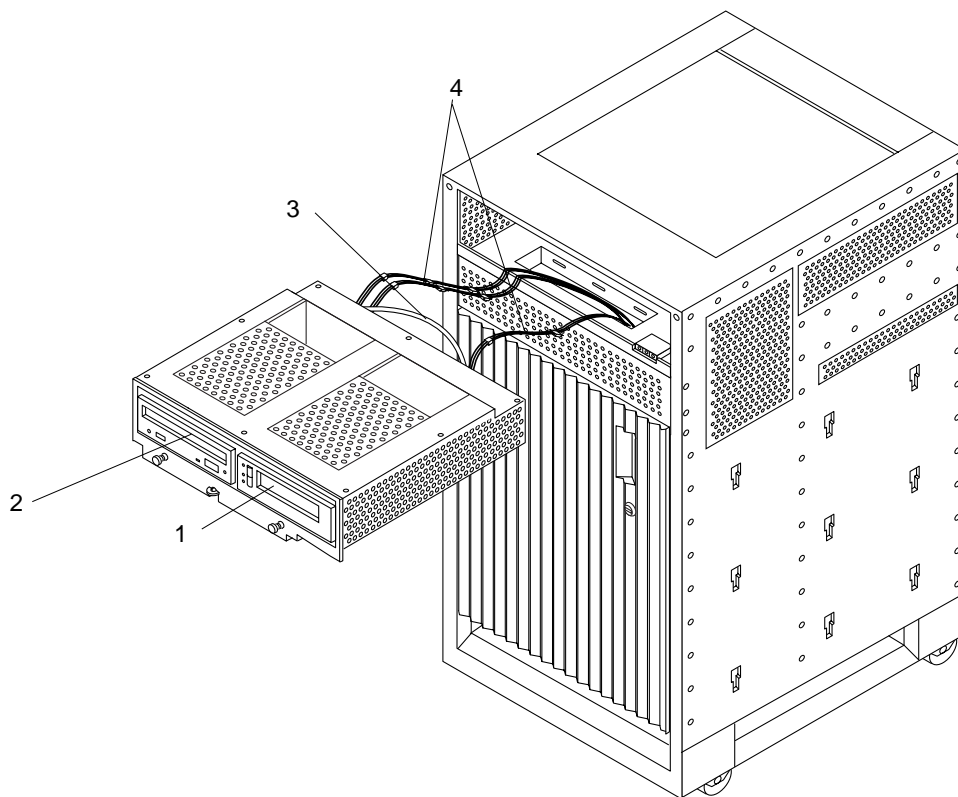
| Description          | Part Number |
|----------------------|-------------|
| Clock board assembly | 501-2975    |

Table F-15 Filler Board Panel Assembly



| Description                 | Part Number |
|-----------------------------|-------------|
| Filler panel board assembly | 540-2592    |

Table F-16 SCSI Tray Assembly

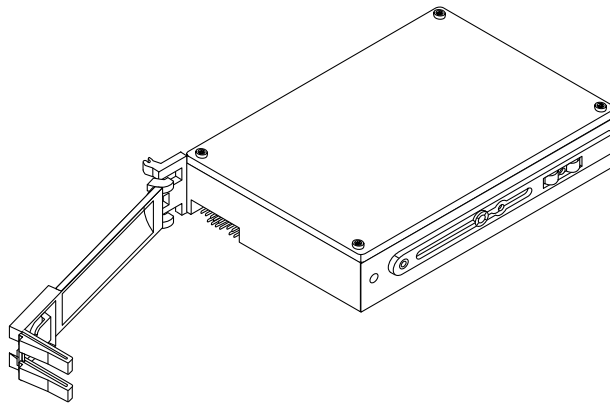


| Key | Description                   | Part Number |
|-----|-------------------------------|-------------|
| 1   | Tape drive                    |             |
| 2   | Sun CD 4                      | 370-2203    |
| 3   | SCSI tray data cable assembly | 530-2220    |
| 4   | SCSI DC power cable assembly  | 530-2221    |

---

Table F-17 Disk Drive

---

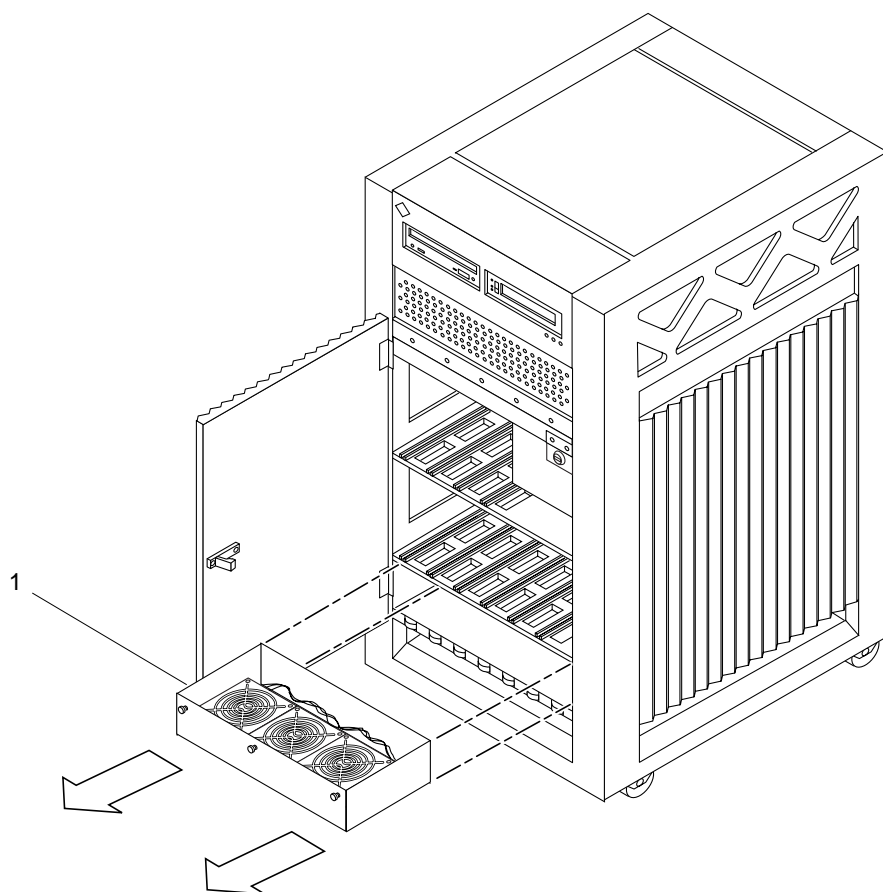


---

| Description | Part Number |
|-------------|-------------|
| Disk drive  | 540-2815    |

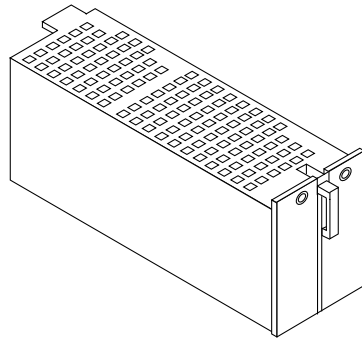
---

*Table F-18 Fan Tray Assembly*



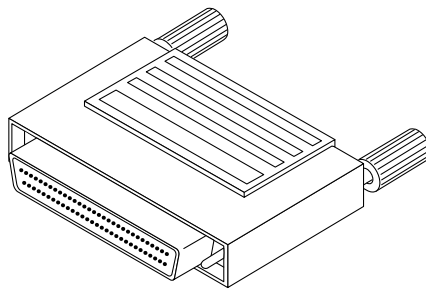
| <b>Key</b> | <b>Description</b> | <b>Part Number</b> |
|------------|--------------------|--------------------|
| 1          | Fan tray assembly  | 540-2756           |

*Table F-19 Auxiliary Fan Tray Assembly*



| Description                 | Part Number |
|-----------------------------|-------------|
| Auxiliary fan tray assembly | 540-2757    |

*Table F-20 68 Pin Terminator*



| Description       | Part Number |
|-------------------|-------------|
| 68 pin terminator | 150-2267    |