

Completing the Installation

5 

Closing the System Unit



Warning – Before powering on your system again, be sure to replace the top cover using the procedure in the next section. It is not safe to operate the SPARCstation 20 system without its top cover in place.

1. **Remove the wrist strap from your wrist and then from the power supply.**

- 2. Align the cover hinge tabs with the tab slots on the bottom front of the system chassis. Make sure the tabs are locked into the chassis slots. Lower the cover onto the chassis.**
See Figure 5-1.

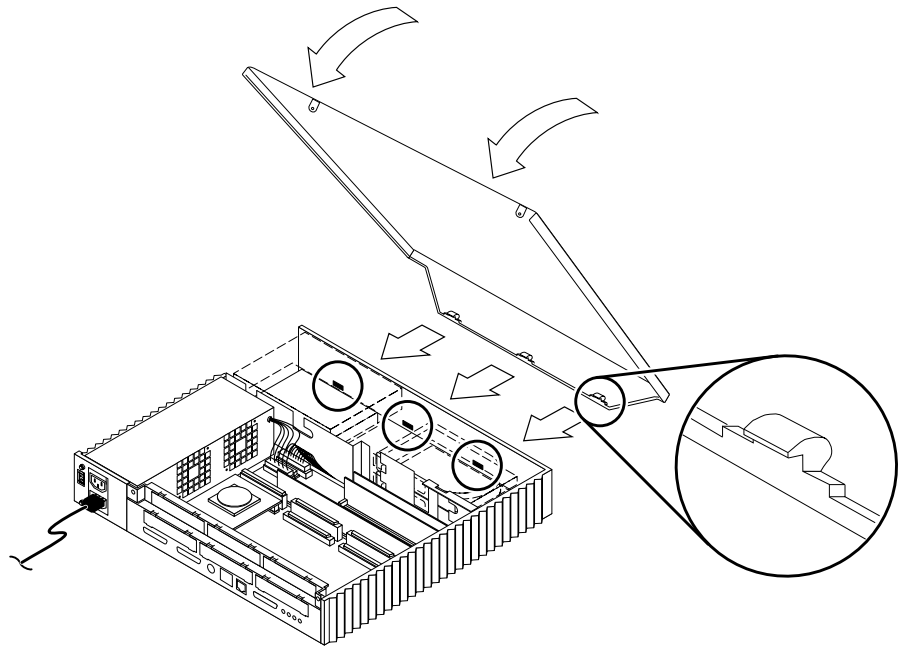


Figure 5-1 Replacing the Cover

3. **Replace the lock block on the rear panel. Press down on the cover above the lock block and tighten the Phillips-head screw that secures the lock block to the cover.**

See Figure 5-2.

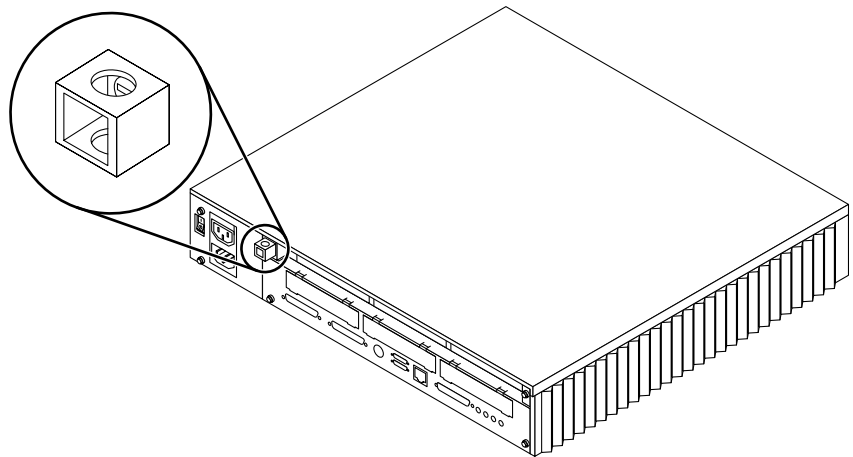


Figure 5-2 Installing the SPARCstation 20 Lock Block



Caution – Do not use a power driver to tighten captive screws. Do not overtighten captive screws.

4. **Press down on the cover above the captive screw and tighten the Phillips-head captive screw on the rear panel to secure the cover.**
See Figure 5-3.

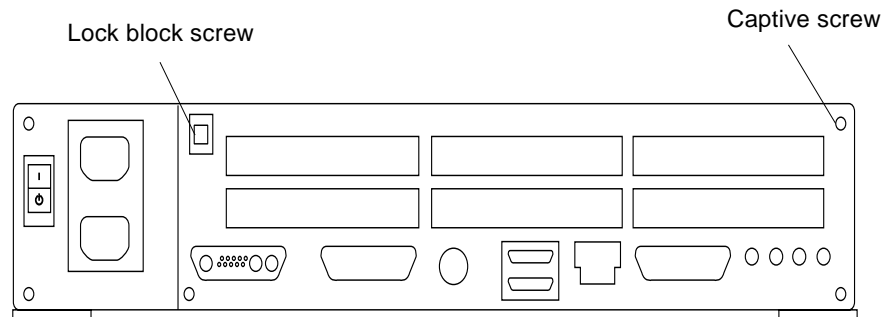


Figure 5-3 SPARCstation 20 Rear Panel Cover Screws

Turning on the System

- 1. Turn on all the peripherals.**
- 2. Turn on the monitor.**
- 3. Press the power on switch on the system.**